

SSTS 2000 Turnstile Indoor Range

Complete security solutions, from consultation to installation

The SSTS 2000 Turnstile is a rugged robust indoor turnstile offering leading reliability and pedestrian flow control for any entrance foyer. The SSTS 1000 is designed and manufactured to the highest specification using top quality components and materials.

The SSTS 1000 is smooth and quiet during operation and being 100% duty cycle rated offers continuous operation for the heaviest of foot traffic environments.

- Slim Style Body Ideally Suited for all Entrance Foyers, Sports Stadia and Health Clubs.
- Aesthetically pleasing Curved Ends
- Stainless Steel or Powder Coated
- Stainless Steel 3 Arm Rotor
- 230v Electrical Operation
- Various Operational Modes with Bi-Directional Movement Control as Standard
- Failsafe Mode offers free two-way rotation in the event of power failure
- Free Rotation on Fire Alarm when Integrated to the Fire Alarm System
- DDA Compliant Pass Gate also available
- Directional Indicator lights available as an option

Security Solutions offers a complete turnkey solution from design to handover along with a comprehensive after sales support to meet your immediate and long term needs.

Security Solutions
Phoenix House
7 Riverside
Waters Meeting Road
Bolton BL1 8TU



SSTS 2000 Indoor Turnstile

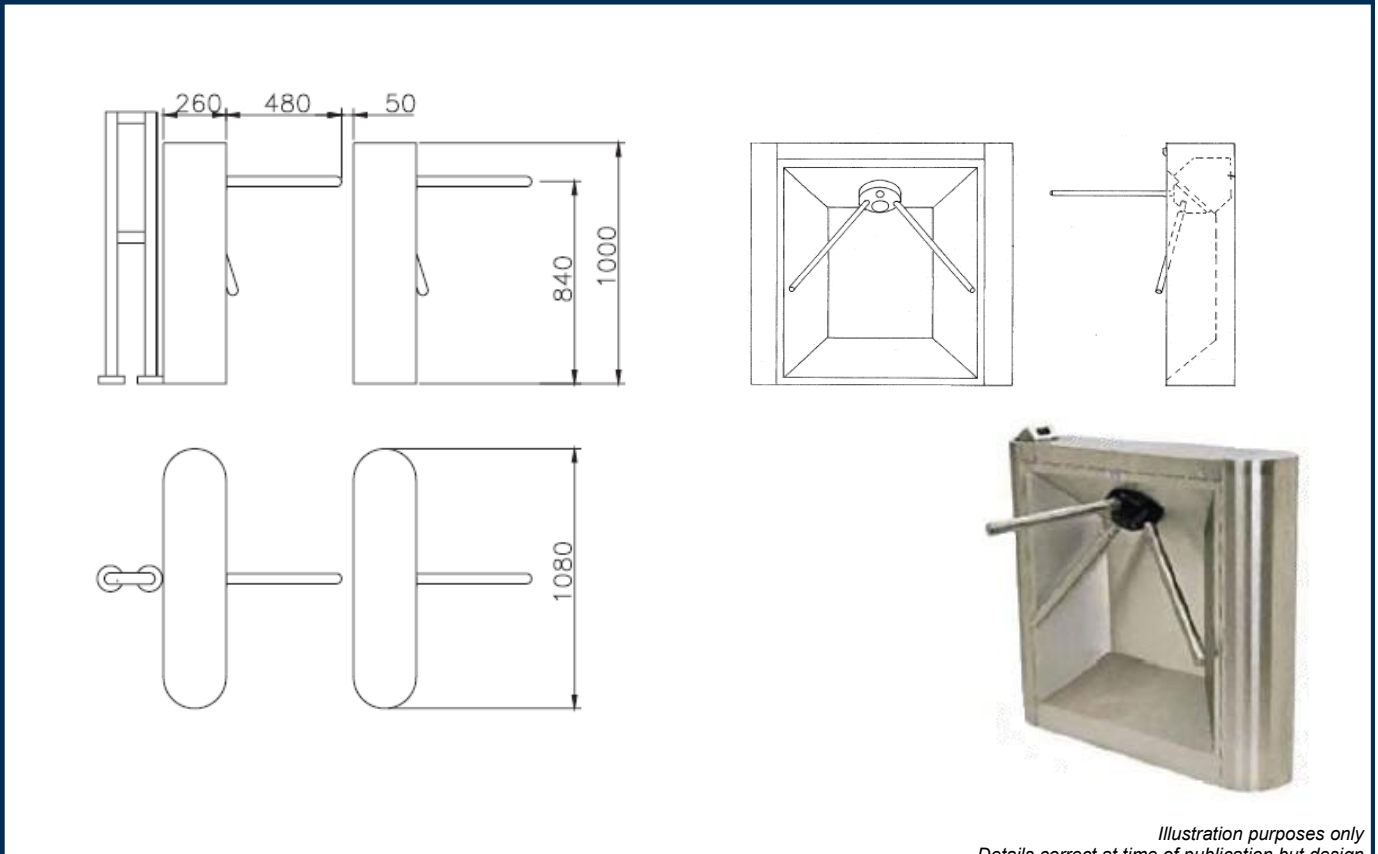
Details

Details correct at time of publication but design and specification may change at any time

Applications:	Internally situated in Stadia, Airports, Train Stations, Libraries, Offices, Leisure Centres and Public Toilets
Construction:	Frame - Stainless Steel Rotor - Stainless Steel
Rotor Configuration:	3 Arm
Surface Finish:	Stainless Steel or Smooth Polyester Powder Coated
Supply:	230v 1Ph 50Hz
Load:	2 Amps
Emergency Override:	Manual control included as standard
Control Systems:	Card Reader Systems, Digital Keypad, Push Button, Biometric Readers, Coin Mechanisms.

SSTS 2000 Turnstile Indoor Range

Complete security solutions, from consultation to installation



*Illustration purposes only
Details correct at time of publication but design
and specification may change at any time*

SSTS 2000 Indoor Turnstile

Our Products & Services

- Barriers**
- Blockers & Bollards**
- Turnstiles**
- Gates & Fencing**
- Access Control**
- Service & Maintenance**
- Project Management**

Our Service - A Complete Solution

Security Solutions manufacture, install and maintain perimeter security equipment. With many years experience in the industry we offer a complete range of services including Design, Installation, Maintenance and Service of new and existing equipment.

We provide a range of high quality, cost effective physical access security solutions that meet or exceed the requirements of today's security conscious company.

Whether it be controlled entrance & exit to your site, control of your car parking, additional access points in your perimeter fencing or high security protection of your sensitive areas or products; Security Solutions has the answer to your problem.

We pride ourselves not only on the quality of our workmanship but also on the advice that can be provided from our experienced staff. If you are considering enhancing your current security we would be delighted to provide you with a no obligation site survey and quotation.

If you require more information or a representative to contact you, please call us directly on + 44 (0)845 604 8144